

## CETOP R58 H/ISO 6020/1

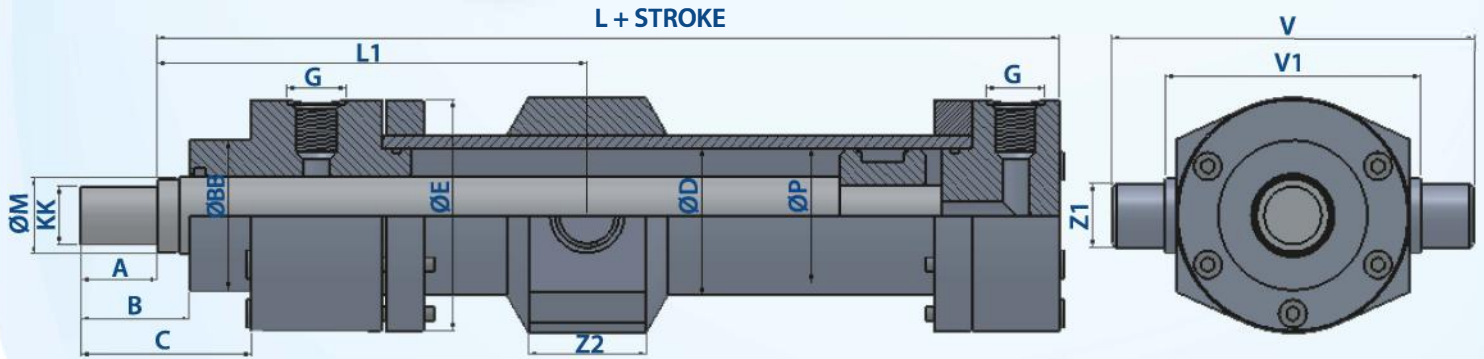
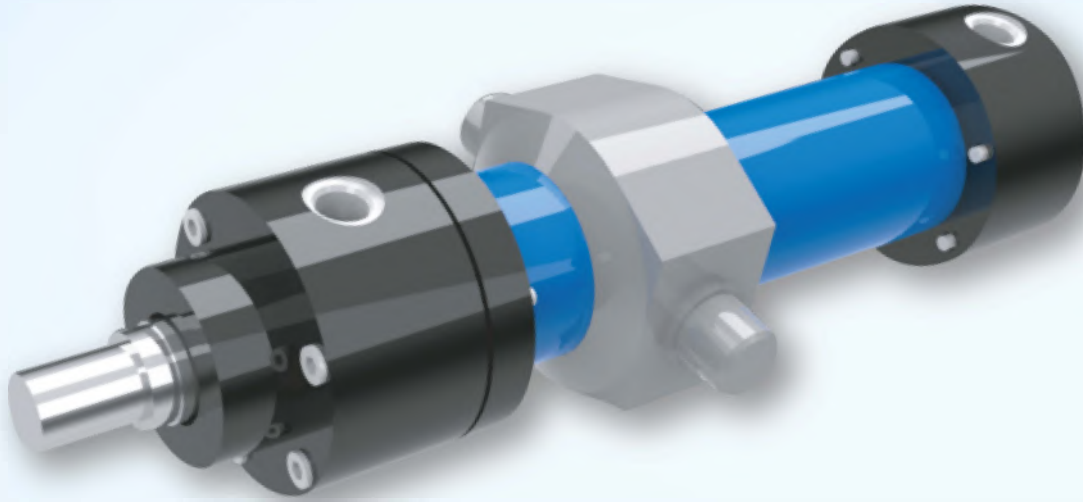
Çift Tesirli Hidrolik Silindirler HS 126 B Serisi (Kalın Millî)

Double Acting Hydraulic Cylinders HS 126 B Series (Thick Tod)

Doppelwirkender Hydraulik Zylinder HS 126 B Serie (Starke Kolben)



HYDRAULIC ENGINEERING



ØP PISTON	Ø25	Ø32	Ø40	Ø50	Ø63	Ø80	Ø100	Ø125	Ø140	Ø160	Ø180	Ø200
M	18	22	28	36	45	56	70	80	90	100	110	140
A	18	22	28	36	45	56	63	75	85	90	95	112
B	31	35	42	52	63	76	86	100	110	120	125	165
C	46	54	61	76	92	112	123	137	150	161	170	210
BB	32	40	50	60	70	85	106	132	145	160	185	200
D	35	40	50	60	75	95	115	145	160	180	210	245
E	58	68	78	98	108	129	158	186	210	240	255	296
G	R 1/4"	R 1/4"	R 3/8"	R 1/2"	R 1/2"	R 1/2"	R 3/4"	R 3/4"	R 3/4"	R 1"	R 1"	R 1"
KK	M14x1.5	M16x1.5	M20x1.5	M27x2.0	M33x2.0	M42x2.0	M48x2.0	M56x2.0	M64x3.0	M72x3.0	M80x3.0	M100x3.0
L	150	170	191	207	226	252	303	327	360	375	425	473
L1	97	108	130	139	159	169	210	238	265	271	313	355
V	83	99	122	145	170	199	240	295	332	366	415	455
V1	63	75	90	105	120	135	160	195	220	240	275	295
Z1	12	16	20	25	30	40	50	60	70	80	90	100
Z2	25	32	36	45	55	65	70	90	100	110	120	130